



iw62 TDC

TANNOY®



Product Description

The iw62 TDC is a full bandwidth in wall speaker system, using a 165mm (6.50") Tannoy Dual Concentric™ point source, constant directivity drive unit with an additional 165mm (6.50") bass driver and 25mm (1.00") Tannoy SuperTweeter™. Designed primarily for installation into standard stud partition wall systems, it may also be used in cavity wall installations constructed with standard thickness drywall as well as a wide range of other wall construction types with a surface thickness of up to 25mm (1.00").

The 165mm (6.50") Tannoy Dual Concentric™ drive unit comprises a multi fibre paper pulp mid bass cone and a 25mm (1.00") ferrofluid cooled, titanium dome HF unit with neodymium magnet system. The mid-bass and tweeter sections of this constant directivity driver are coincidentally aligned to a true point source; ensuring a wide and controlled dispersion for optimum coverage; this while avoiding the massive loss of energy, in the vertical plane at the crossover frequency, inherent in two-way discrete designs.

An additional acoustically matched 165mm (6.50") bass driver delivers low frequency reinforcement for the Dual, while a 25mm (1.00") titanium dome SuperTweeter™ extends the frequency bandwidth out to over 50kHz. Not only does this further enhance the already class leading, low distortion performance with an exceptionally natural and open soundstage, it also ensures that this is a high output, high impact performer. The iw62 TDC is equipped with dynamic high frequency protection.

The drivers and passive frequency dividing network are mounted in an injection moulded, paintable front baffle manufactured from UV/weather resistant UL94V-0 ABS material. The class leading performance is further enhanced by the inclusion of eight self aligning, spring loaded clamps; allowing for quick install but also for simple removal or reorientation of the loudspeaker. The rigidity of the clamps and baffle combination crucially provides the acoustically optimum bond to the wall surface without risk of distortion to the baffle itself. Gold plated spring loaded terminals are provided for ease of installation and a steel back can is available as an optional installation accessory.

Complementing any style of decor, the perforated metal grille and discreet moulded baffle can be painted to blend seamlessly with any environment. Ideally suited to applications requiring the combination of intelligibility, premium sonic quality for music and speech reinforcement and exceptional reliability, the high power handling iw62 TDC is particularly suited to custom AV installations and business music systems.

Features

- Extended frequency response and very low distortion
- Wide, controlled constant directivity dispersion for optimum coverage
- Does not suffer from massive loss of energy in the vertical plane at crossover caused by two way discrete designs
- UV/weather resistant UL94V-0 ABS construction for structural integrity
- Dynamic high frequency protection
- Eight way self-aligning clamp mounting system
- Ferrofluid cooled neodymium high frequency driver
- Five year warranty

Applications

- Foreground music & paging systems
- Multi-room audio systems
- Home theatre
- Business music systems
- Boardrooms and offices
- Retail environments
- Retail outlets and shopping malls
- Lounges and bars
- Cruise ships
- Courtrooms

Tannoy Direct (UK)
TCGI (ROW sales)
TCGA (Americas sales)
Tannoy Middle East

T: 00 44 (0) 1236 420199
T: 00 45 8742 7000
T: 00 1 (519) 745 1158
T: 00 971 (04) 4401208

E: enquiries@tannoy.com
E: info@tcgroup-international.com
E: info@tcgroup-americas.com
E: enquiries@tannoy.com

tannoy®.com



iw62 TDC

TANNOY®

TECHNICAL SPECIFICATIONS

System	iw62 TDC	
Frequency Response (-3dB) ⁽¹⁾	70Hz - 51kHz	
Frequency Range (-10dB) ⁽¹⁾	34Hz - 54kHz	
System Sensitivity (1W @1m) ⁽²⁾	92dB (1W - 2.83V for 8 Ohms)	
Nominal Coverage Angle	90 degrees conical	
Coverage Angle (1kHz to 6kHz)	120 degrees conical	
Directivity Factor (Q)	4.6 averaged 1kHz to 6kHz	
Directivity Index (DI)	6.0 averaged 1kHz to 6kHz	
Rated Maximum SPL ⁽³⁾		
Average	112dB	
Average	110dB (with optional THP60 transformer)	
Peak	118dB	
Power Handling		
Average	105W	
Programmed	210W	
Peak	420W	
Recommended Amplifier Power	210W @ 8 Ohms	
Nominal Impedance	8 Ohms	
Distortion		
10% Full Power (5.5V)	2nd Harmonic	3rd Harmonic
250Hz	0.64%	0.06%
1kHz	0.6%	0.52%
10kHz	0.69%	0.06%
1% Full Power (1.73V)	2nd Harmonic	3rd Harmonic
250Hz	0.18%	0.11%
1kHz	0.08%	0.23%
10kHz	0.27%	0.17%
Crossover	Passive, 750Hz, 1.8Hz, 16Hz	

Notes:

- (1) Average over stated bandwidth. Measured at 1 metre on axis.
- (2) Unweighted pink noise input, measured at 1 metre in an anechoic chamber

A full range of measurements, performance data, CLF and Ease™ Data can be downloaded from www.tannoy.com

Full independent verification of published specifications carried out by NWAA Labs, California can also be obtained from the downloads section of www.tannoy.com

Tannoy operates a policy of continuous research and development. The introduction of new materials or manufacturing methods will always equal or exceed the published specifications, which Tannoy reserves the right to alter without prior notice. Please verify the latest specifications when dealing with critical applications.

Transducers	
Dual Concentric™	Point source constant directivity drive unit
Low Frequency	1 x 165mm (6.50") with multi fibre paper pulp cone
High Frequency	19mm (0.75") titanium dome with neodymium magnet system
Supertweeter™	19mm (0.75") titanium dome with neodymium magnet system
Low Frequency	1 x 165mm (6.50") additional bass driver

Physical	
Enclosure	Baffle UL 94V-0 rated ABS
	Grille Aluminum, with weather resistant coating
Optional accessory:	Back can Zinc plated steel
Clamping Design	Eight way self aligning security toggle clamp system
Connectors	Gold plated connectors with spring terminals
Hole Cutout Size	426.10 x 187.6 (16.76 x 7.39") Maximum wall thickness - 25mm (1.00")
Dimensions	
Front Baffle	473.5mm x 227mm (18.64" x 8.94") (H x W)
Front of wall to rear of magnet assembly	99mm (3.90")
Net Weight	5kg (11lbs)
Included Accessories	Painted mask, cutout template, grille
Optional Accessories	Steel back can Steel back can with THP60 transformer Plaster (mud) ring
Transformer Taps (optional)	
70V	60W / 30W / 15W / 7.5W / OFF & Low Impedence operation
100V	60W / 30W / 15W / OFF & Low Impedence operation

Ordering Information

PART NUMBER	MODEL NAME	COLOUR	PACKED QUANTITY
8000 3770	iw62 TDC	White	1

Tannoy Direct (UK)
TCGI (ROW sales)
TCGA (Americas sales)
Tannoy Middle East

T: 00 44 (0) 1236 420199
T: 00 45 8742 7000
T: 00 1 (519) 745 1158
T: 00 971 (04) 4401208

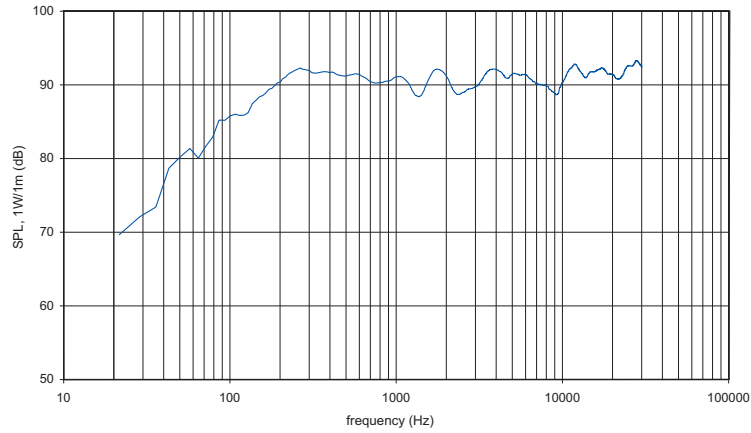
E: enquiries@tannoy.com
E: info@tcgroup-international.com
E: info@tcgroup-americas.com
E: enquiries@tannoy.com

tannoy.com



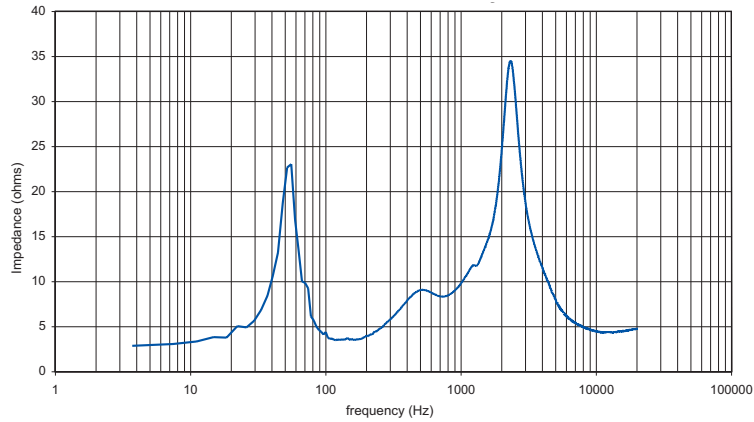
PERFORMANCE MEASUREMENTS

1m on-axis frequency response



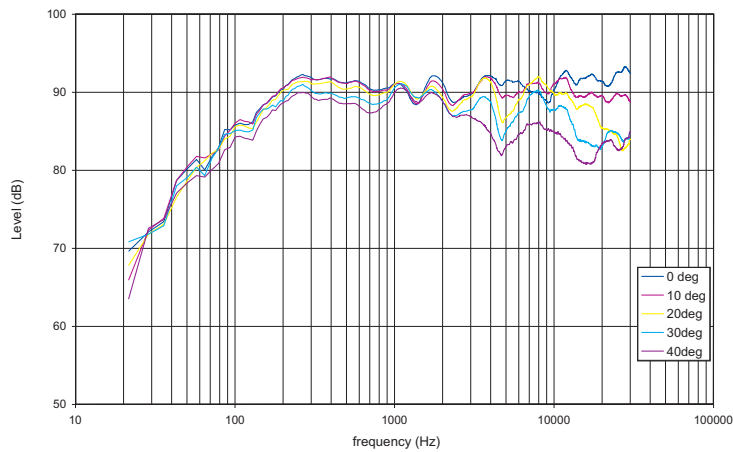
ANECHOIC
FREQUENCY
RESPONSE

Impedance vs frequency



IMPEDANCE

Horizontal off-axis response



OFF AXIS
RESPONSE

Tannoy Direct (UK)
TCGI (ROW sales)
TCGA (Americas sales)
Tannoy Middle East

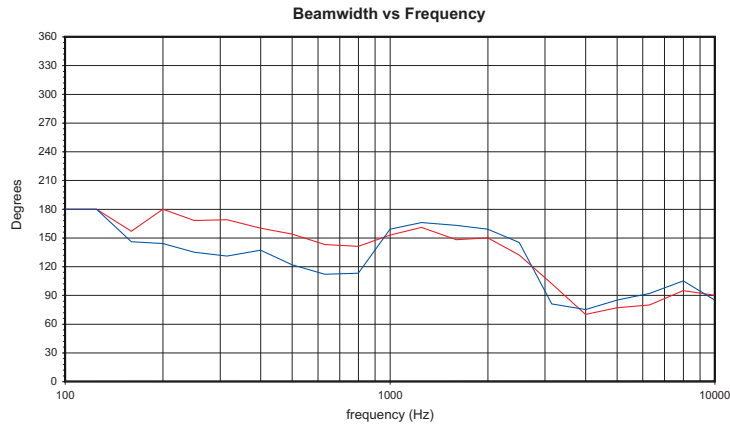
T: 00 44 (0) 1236 420199
T: 00 45 8742 7000
T: 00 1 (519) 745 1158
T: 00 971 (04) 4401208

E: enquiries@tannoy.com
E: info@tcgroup-international.com
E: info@tcgroup-americas.com
E: enquiries@tannoy.com

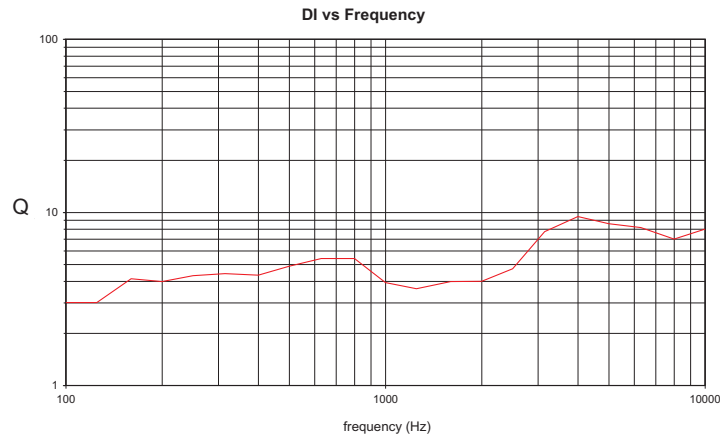
tannoy.com



PERFORMANCE MEASUREMENTS



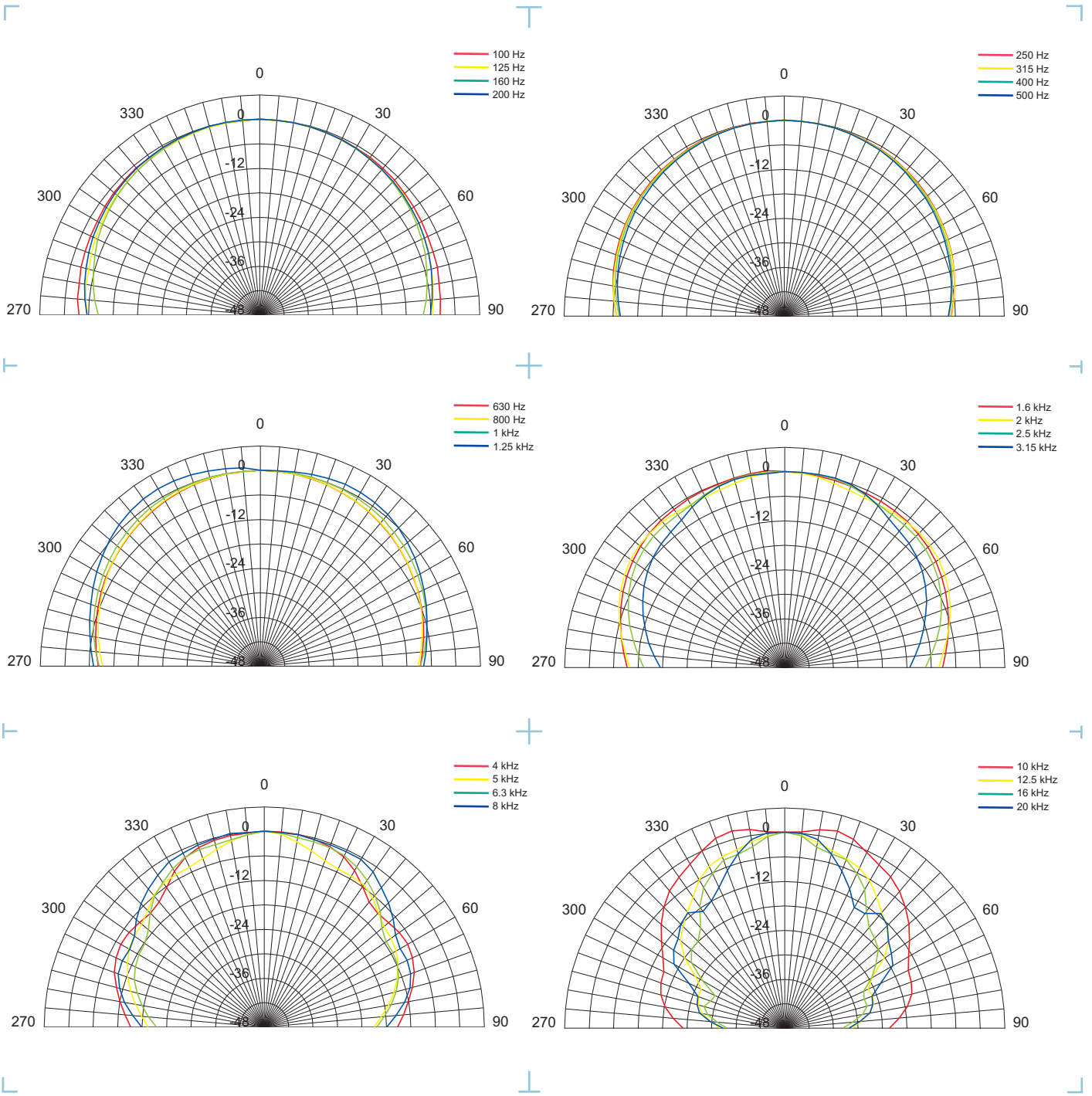
BEAMWIDTH



DIRECTIVITY INDEX



PERFORMANCE MEASUREMENTS POLAR PLOTS (1/3 OCTAVE)



Tannoy Direct (UK)
 TCGI (ROW sales)
 TCGA (Americas sales)
 Tannoy Middle East

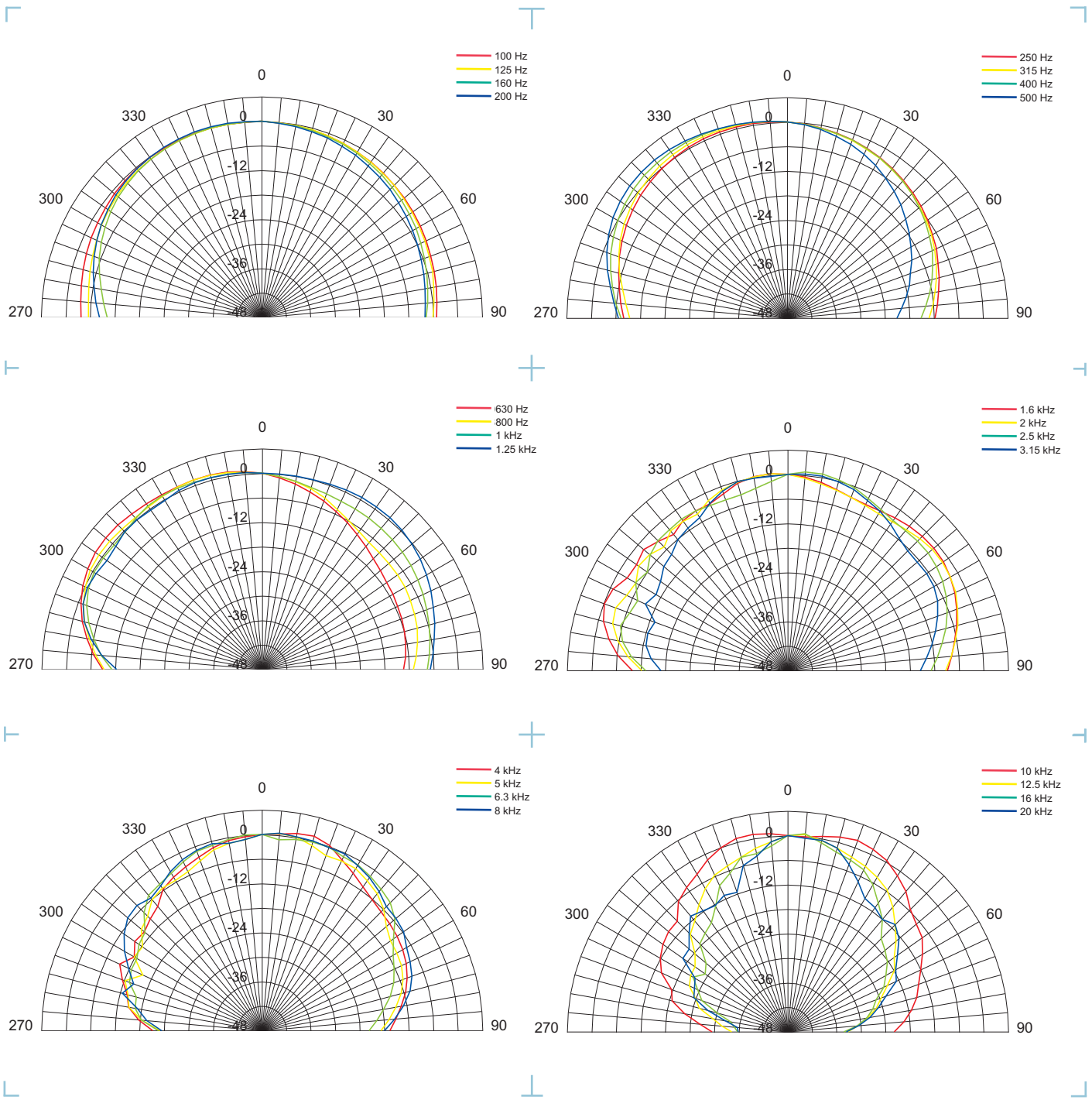
T: 00 44 (0) 1236 420199
 T: 00 45 8742 7000
 T: 00 1 (519) 745 1158
 T: 00 971 (04) 4401208

E: enquiries@tannoy.com
 E: info@tcgroup-international.com
 E: info@tcgroup-americas.com
 E: enquiries@tannoy.com

tannoy®.com



PERFORMANCE MEASUREMENTS POLAR PLOTS (1/3 OCTAVE)



Tannoy Direct (UK)
 TCGI (ROW sales)
 TCGA (Americas sales)
 Tannoy Middle East

T: 00 44 (0) 1236 420199
 T: 00 45 8742 7000
 T: 00 1 (519) 745 1158
 T: 00 971 (04) 4401208

E: enquiries@tannoy.com
 E: info@tcgroup-international.com
 E: info@tcgroup-americas.com
 E: enquiries@tannoy.com

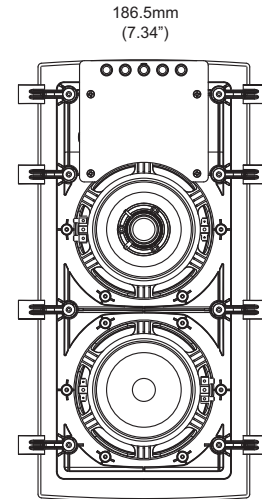
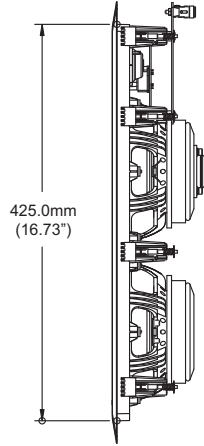
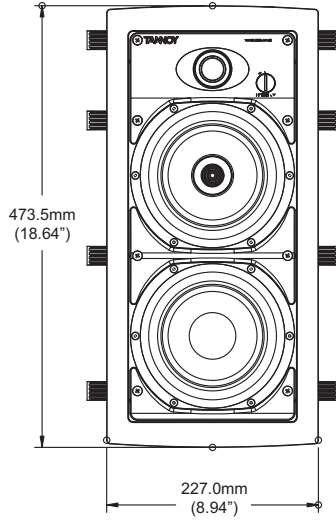
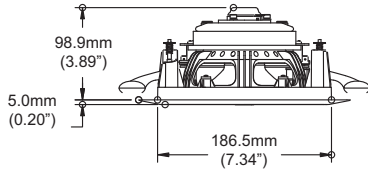
tannoy®.com



iw62 TDC

TANNOY®

DIMENSIONAL SKETCHES



TEMPLATE HOLE CUTOUT SIZE - 430mm X 193mm {16.93" x 7.30"}

Tannoy Direct (UK)
TCGI (ROW sales)
TCGA (Americas sales)
Tannoy Middle East

T: 00 44 (0) 1236 420199
T: 00 45 8742 7000
T: 00 1 (519) 745 1158
T: 00 971 (04) 4401208

E: enquiries@tannoy.com
E: info@tcgroup-international.com
E: info@tcgroup-americas.com
E: enquiries@tannoy.com

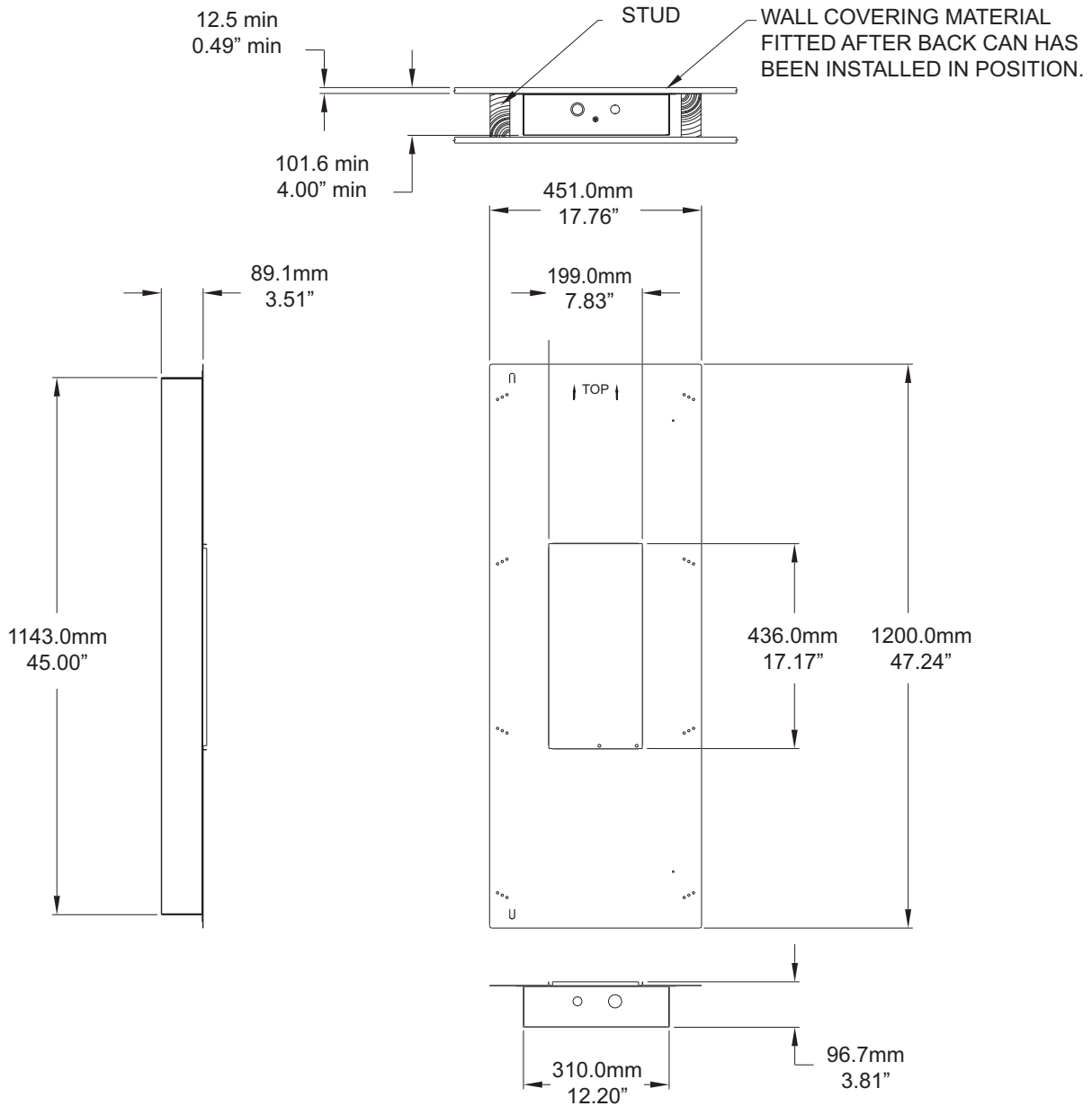
tannoy®.com



iw62 TDC

TANNOY®

IN WALL BACK CAN ACCESSORY



Ordering Information

PART NUMBER	MODEL NAME	BAFFLE / GRILLE COLOUR	PACKED QUANTITY	PACKED WEIGHT
8000 4220	iw62 TDC/TS Back Can	Unpainted Steel	1	9.50Kgs (20.90lbs)
8000 4240	iw62 TDC/TS Transformer Back Can	Unpainted Steel	1	10.50Kgs (23.1lbs)
8000 4260	Pre-install mounting ring for iw62 TDC/TS	-	-	-

Tannoy United Kingdom
 Tannoy Deutschland
 Tannoy France
 TC|Group Americas

T: 00 44 (0) 1236 420199
 T: 00 49 (180) 1111 881
 T: 00 33 (0)1 7036 7473
 T: 00 1 (519) 745 1158

E: enquiries@tannoy.com
 E: enquiries@tannoy.com
 E: ventes@tannoy.com
 E: info@tcgroup-americas.com

tannoy.com



Architectural specifications

The in wall speaker shall consist of one 165mm (6.50") Dual Concentric™ full range transducer, one 25mm (1.00") SuperTweeter™ and one 165mm (6.50") bass driver, mounted in an injection moulded front baffle manufactured from UV/weather resistant UL94V-0 ABS material. The three-way system shall incorporate an optimised low loss crossover network. The wiring terminals shall be gold plated spring loaded connectors.

Performance of the in-wall speaker shall meet or exceed the following criteria: The system shall have a coverage angle of 120 degrees (1kHz to 6kHz). Frequency response measured on axis shall be 34Hz - 54kHz (-10dB from rated sensitivity, measured in an IEC baffle in an anechoic chamber) with no equalization. Sensitivity shall be 92dB (1W @ 1m). Long term power handling capacity as defined in EIA-426B test shall be 105W, recommended amplifier power 220W @ 8 Ohms. The nominal system impedance shall be 8 Ohms.

In 70V or 100V distributed audio systems the iw62 TDC can be used with the optional the THP60 high performance, low insertion loss transformer with 60, 30, 15 and 7.5W taps* available. A weather resistant perforated aluminum grille covers the transducer. Both the grille and baffle shall be paintable.

The system shall not exceed the following dimensions: 473.50 x 227 or 18.64 x 8.94 (H x W).
Hole cut out size shall be 426.10 x 187.6mm or 16.76 x 7.39"

The in wall speaker system shall be the.....iw62 TDC.

*70.7 Volt only

