



Product Description

The new Definition Install iw210s in wall subwoofer has been designed to underpin and accompany the existing iw63 DC and iw60 EFX in wall loudspeaker products, delivering effortless and powerful low frequency performance to rival that of many cabinet based models.

At 88dB (1W = 2.83V for 8 Ohms) the direct radiating sub is capable of high output levels (118db peak), with tremendous dynamics and stunning bass response, while still being agile enough to maintain finer musical detail with precision and speed. From media rooms to home theatre and boardrooms through to high end marine interiors, the iw210s sub delivers class leading accuracy, sensitivity and dynamics, providing a punchy bottom end to any movie soundtrack or music application.

Built around 1 x 250mm (10.00") bass driver and 1 x 250mm (10.00") passive radiator enclosed in an internally braced and comprehensively damped 11.5 litre plywood cabinet, the iw210s comes supplied with a paintable, flush mounting grille designed to blend seamlessly into any space – making it ideally suited to applications where architectural or design sensitivity is paramount.

A unique isolation mounting system optimises low frequency performance by controlling unwanted resonances within the install structure. A mounting frame is available as an optional pre-installation accessory to fit into standard construction 2" x 4" stud walls.

Tannoy's Definition Install range is an outstanding line up of loudspeakers designed to satisfy a variety of installation applications encompassing home theatre, board rooms through to high end marine interiors. The range includes in-cabinet / behind-screen models as well as high performance, fully enclosed in-wall speakers. All offer exceptionally high sensitivity (as high as 98dB 1 Watt @ 1 meter). Two substantial in-cabinet subwoofers complete the extremely capable Definition Install line up.

Features

- 1 x 250mm (10") bass driver
- 1 x 250mm (10") passive radiator
- Recommended Amplifier power 250 – 500 watts @ 8 Ohms
- Sensitivity 88dB (1W = 2.83V)
- Unique isolation mounting system to control unwanted resonances within the install structure
- Maximum SPL average 112dB
- Grille and baffle can be painted to suit any décor
- Natural, clean and accurate sound
- Low frequency response down to 35Hz (at -3dB)
- Spring loaded gold terminals

Applications

- Home Theatre
- Media Rooms
- Boardrooms
- High end marine interiors
- Dedicated corporate AV

Tannoy United Kingdom
Tannoy North America
Tannoy Deutschland
Tannoy France

T: 00 44 (0) 1236 420199
T: 00 1 (519) 745 1158
T: 00 49 (180) 1111 881
T: 00 33 (0)1 7036 7473

E: enquiries@tannoy.com
E: inquiries@tannoyna.com
E: anfragen@tannoy.com
E: ventes@tannoy.com

tannoy®.com



Definition Install iw210s

TANNOY®

TECHNICAL SPECIFICATIONS

System

Frequency Response (-3dB) ⁽¹⁾	35Hz - 500Hz
Frequency Range (-10dB) ⁽¹⁾	28Hz - 600Hz
System Sensitivity (1W @1m) ⁽¹⁾	88dB (1W = 2.83V for 8 Ohms)

Power Handling

Average	250W
Programme	500W
Peak	1000W

Recommended Amplifier Power 250 - 500 Watt / 8 Ohms

Rated Maximum SPL ⁽²⁾

Average	112dB
Peak	118dB

Nominal Impedance 8 Ohms

Driver Complement 1 x 250mm (10") Bass driver
1 x 250mm (10") Passive radiator

Recommended Crossover 80Hz - 250Hz, 24dB/octave
Recommended High-pass filter
32Hz, 24dB/octave

Distortion

	2nd Harmonic	3rd Harmonic
10% Full Power (14.1V)		
40Hz	2.3%	3.4%
100Hz	1.7%	1.4%
1% Full Power (2.83V)		
40Hz	2.8%	1.0%
100Hz	2.3%	1.0%

Construction

Enclosure 11.5 litre, internally braced plywood enclosure

Finish Black paint

Connectors Gold plated spring terminals

Dimensions 590mm x 345mm x 94mm
(23.23" x 13.58" x 3.70")

NET Weight 9.5kg (20.9lbs)

Shipping Weight 14.0 kg (30.8lbs)

Accessories Installation kit required (not included)

Notes:

(1) Measured on axis in half space.

(2) Unweighted pink noise over stated bandwidth, measured at 1 metre in half space.

A full range of measurements, performance data, and Ease™ Data can be downloaded from www.tannoy.com

Tannoy operates a policy of continuous research and development. The introduction of new materials or manufacturing methods will always equal or exceed the published specifications, which Tannoy reserves the right to alter without prior notification

Ordering Information

PART NUMBER	MODEL NAME	COLOUR	PACKED QUANTITY
8000 5350	Definition Install IW	BLACK	1

Tannoy United Kingdom
Tannoy North America
Tannoy Deutschland
Tannoy France

T: 00 44 (0) 1236 420199
T: 00 1 (519) 745 1158
T: 00 49 (180) 1111 881
T: 00 33 (0)1 7036 7473

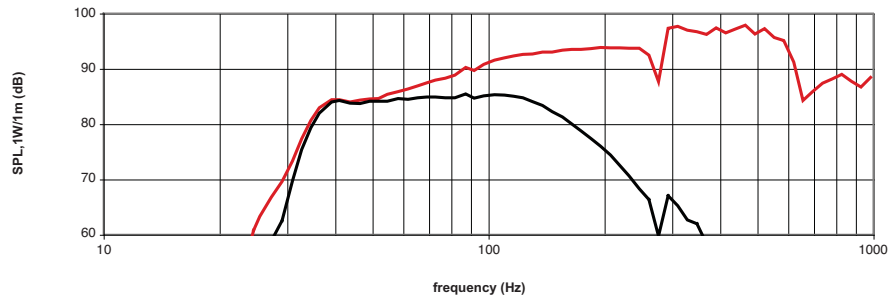
E: enquiries@tannoy.com
E: inquiries@tannoyna.com
E: anfragen@tannoy.com
E: ventes@tannoy.com

tannoy.com



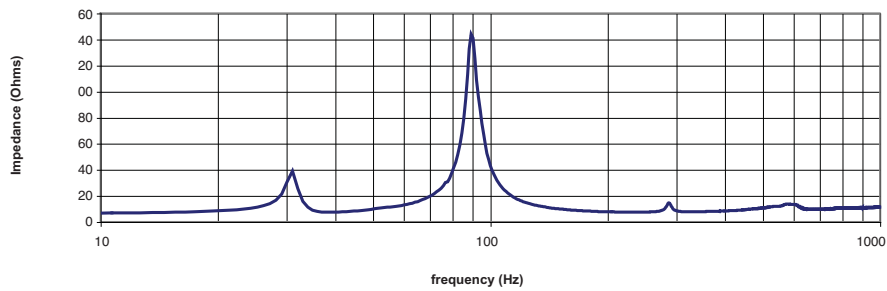
PERFORMANCE MEASUREMENTS

1m on-axis Frequency Respose



FREQUENCY RESPONSE

Impedance vs frequency



IMPEDANCE

Tannoy United Kingdom
Tannoy North America
Tannoy Deutschland
Tannoy France

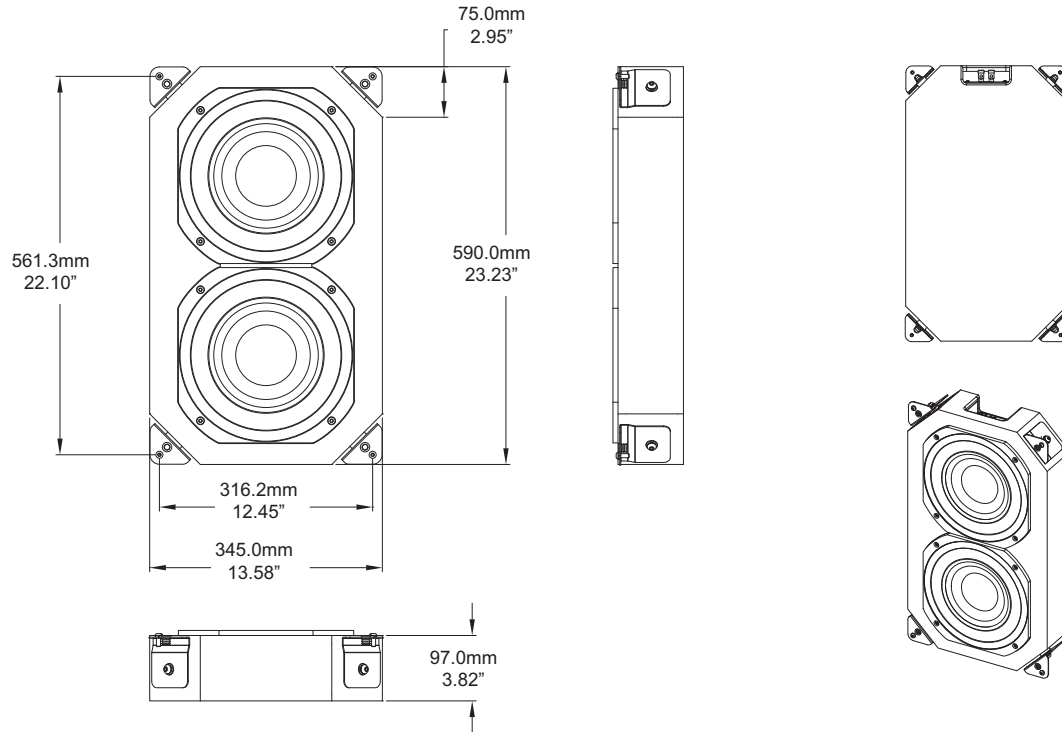
T: 00 44 (0) 1236 420199
T: 00 1 (519) 745 1158
T: 00 49 (180) 1111 881
T: 00 33 (0)1 7036 7473

E: enquiries@tannoy.com
E: inquiries@tannoyna.com
E: anfragen@tannoy.com
E: ventes@tannoy.com

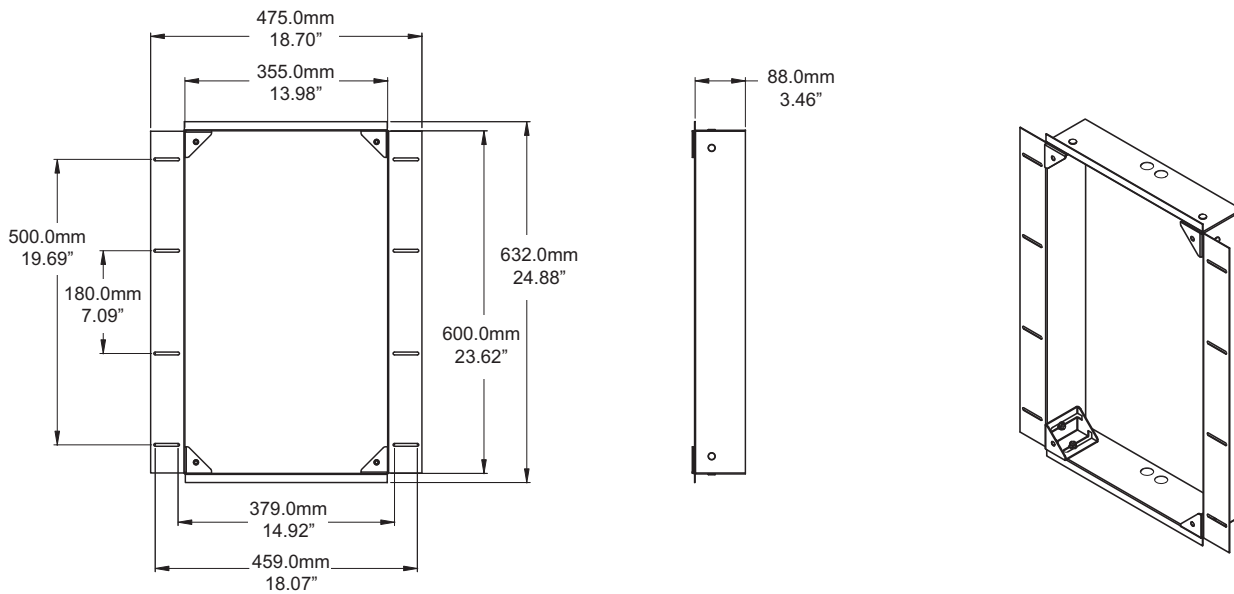
tannoy®.com



DIMENSIONAL SKETCHES



OPTIONAL ACCESSORY PRE-INSTALLATION FRAME



Ordering Information

PART NUMBER	MODEL NAME	COLOUR	PACKED QUANTITY
8000 5640	Pre-Install Frame - Definition Install	Unpainted metal'	1

Tannoy United Kingdom
 Tannoy North America
 Tannoy Deutschland
 Tannoy France

T: 00 44 (0) 1236 420199
 T: 00 1 (519) 745 1158
 T: 00 49 (180) 1111 881
 T: 00 33 (0)1 7036 7473

E: enquiries@tannoy.com
 E: inquiries@tannoyna.com
 E: anfragen@tannoy.com
 E: ventes@tannoy.com

tannoy®.com