



Definition Install DS15i sub TANNOY®



Product Description

The Definition Install DS15i sub has been designed to underpin a Definition install theatre or media room system with truly remarkable low frequency performance. Massively constructed around 380mm (15.00") professional drive unit, this subwoofer will produce the ultimate soundtrack experience, with spectacular and thunderous bass, yet still be agile enough to maintain finer musical detail with precision and speed.

This 76 litre direct radiating design is robustly constructed MDF enclosure, using 15mm (0.62") for the panels and 36mm (1.42") for the front baffle. Extensive internal bracing minimises panel resonance ensuring a tight and responsive bass performance. Capable of achieving 36Hz and with a sensitivity of 96dB (1W = 2.83V for 8 Ohms), the DS15i sub will deliver an SPL of 130dB peak. Recommended amplifier power is 600 – 1200W @ 8 Ohms.

Finished in rugged textured black paint, the enclosure is fitted with two binding posts, eight M10 inserts and four rubber feet.

The DS15i sub is compact enough to bring class leading performance to a wide range of installation applications; from media rooms to home theatre and boardrooms through to high end marine interiors.

Features

- 1 x 380mm (15.00") high power handling direct radiating bass driver
- Immensely rugged 76 litre MDF enclosure is internally braced, with 15mm (0.62") panels and a 36mm (1.37") front baffle
- Power handling 1200W programme
- Sensitivity 96dB (1W = 2.83V for 8 Ohms)
- Rated SPL 130dB peak
- 2 x binding post connectors, 8 x M10 inserts and 4 x rubber feet

Applications

- Media rooms
- Home theatre
- Boardrooms
- High end marine interiors

Tannoy United Kingdom
Tannoy North America
Tannoy Deutschland
Tannoy France

T: 00 44 (0) 1236 420199
T: 00 1 (519) 745 1158
T: 00 49 (180) 1111 881
T: 00 33 (0)1 7036 7473

E: enquiries@tannoy.com
E: inquiries@tannoyna.com
E: anfragen@tannoy.com
E: ventes@tannoy.com

tannoy.com



Definition Install DS15i sub TANNOY®

TECHNICAL SPECIFICATIONS

System Definition Instal DS15i sub

System Type	Subwoofer - Direct Radiating
Frequency Range ⁽¹⁾	36Hz
System Sensitivity (1W @1m) ⁽²⁾	96dB (1W = 2.83V for 8 Ohms)
Power Handling	
Average	600W
Programme	1200W
Peak	2400W
Recommended Amplifier Power	600 - 1200 W / 8 Ohms
Rated Maximum SPL ²	
Average	124dB
Peak	130dB
Nominal Impedance	8 Ohms
Driver Complement	1 x 380mm (15.00") Bass driver
Recommended Crossover	70Hz - 300Hz, 24dB / octave
Recommended High-pass filter	35Hz, 24dB / octave

Distortion

10% Full Power (21.9V)	2nd Harmonic	3rd Harmonic
40Hz	0.83%	0.68%
100Hz	0.23%	0.44%
1% Full Power (6.9V)	2nd Harmonic	3rd Harmonic
40Hz	0.44%	0.28%
100Hz	0.15%	0.15%

Notes:

- (1) Average over stated bandwidth. Measured at 1 metre on axis.
 (2) Unweighted pink noise input, measured at 1 metre in an anechoic chamber

A full range of measurements, performance data, CLF and Ease™ Data can be downloaded from www.tannoy.com

Full independent verification of published specifications carried out by NWA Labs, California can also be obtained from the downloads section of www.tannoy.com

Tannoy operates a policy of continuous research and development. The introduction of new materials or manufacturing methods will always equal or exceed the published specifications, which Tannoy reserves the right to alter without prior notice. Please verify the latest specifications when dealing with critical applications.

Construction

Enclosure	76 litres, front 36mm (1.37"), other panels 15mm (0.62") MDF internally braced.
Finish	Textured black paint
Connectors	2 x Binding posts
Fittings	8 x M10 inserts. 4 x Rubber feet
Dimensions	525 x 460 x 430mm (H x W x D) 20.67 x 18.11 x 16.93" (H x W x D)
NET Weight	30kg (66.1lbs)

Ordering Information

PART NUMBER	MODEL NAME	COLOUR	PACKED QUANTITY
8000 5210	Definition Install DS15i sub	Black	1

Tannoy United Kingdom
 Tannoy North America
 Tannoy Deutschland
 Tannoy France

T: 00 44 (0) 1236 420199
 T: 00 1 (519) 745 1158
 T: 00 49 (180) 1111 881
 T: 00 33 (0)1 7036 7473

E: enquiries@tannoy.com
 E: inquiries@tannoyna.com
 E: anfragen@tannoy.com
 E: ventes@tannoy.com

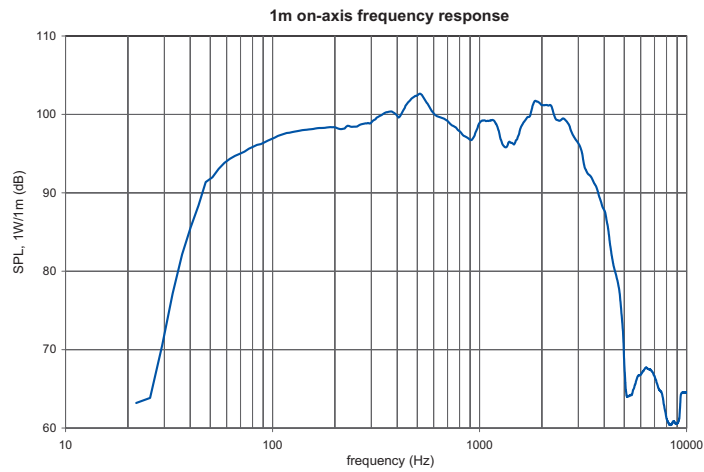
tannoy®.com



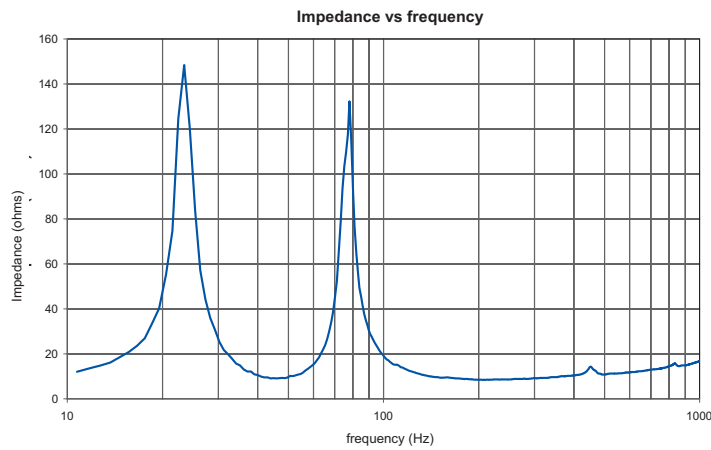
Definition Install DS15i sub

TANNOY®

PERFORMANCE MEASUREMENTS



FREQUENCY RESPONSE



IMPEDANCE

Tannoy United Kingdom
 Tannoy North America
 Tannoy Deutschland
 Tannoy France

T: 00 44 (0) 1236 420199
 T: 00 1 (519) 745 1158
 T: 00 49 (180) 1111 881
 T: 00 33 (0)1 7036 7473

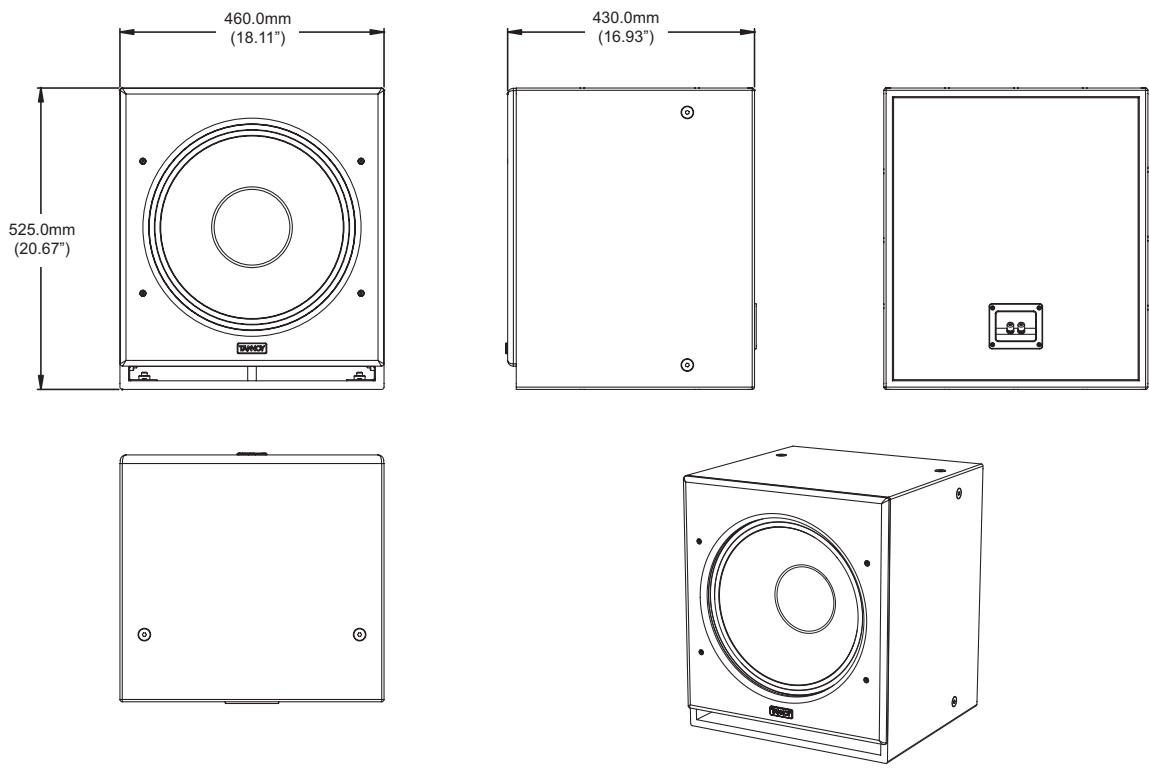
E: enquiries@tannoy.com
 E: inquiries@tannoyna.com
 E: anfragen@tannoy.com
 E: ventes@tannoy.com

tannoy.com



Definition Install DS15i sub **TANNOY**

DIMENSIONAL SKETCHES



Tannoy United Kingdom
Tannoy North America
Tannoy Deutschland
Tannoy France

T: 00 44 (0) 1236 420199
T: 00 1 (519) 745 1158
T: 00 49 (180) 1111 881
T: 00 33 (0)1 7036 7473

E: enquiries@tannoy.com
E: inquiries@tannoyna.com
E: anfragen@tannoy.com
E: ventes@tannoy.com

tannoy.com



Definition Install DS15i sub TANNOY®

Architectural specifications

The bass loudspeaker shall consist of a 380mm (15.00") low frequency transducer mounted within a vented direct radiating enclosure.

Performance of the loudspeaker, without any electronic control shall meet or exceed the following criteria: Frequency response measured at 1 metre on axis with swept sine wave shall be 36Hz. Sensitivity shall be at least 96dB (half space) for 2.83 Volts @ 1 metre and shall be capable of producing a peak output level of 130dB (half space) on axis at 1 metre.

The system shall have a nominal impedance of 8 Ohms and maximum power handling shall be 1200 Watts (programme). The enclosure shall be an optimally tuned (76 litre) vented enclosure of MDF construction finished in a wear resistant textured black paint.

Input connectors shall be two binding posts and the enclosure shall be fitted with 8 x M10 flying inserts and 4 x rubber feet.

The enclosure shall not exceed the following dimensions:
525 x 460 x 430mm or 20.67 x 18.11 x 16.93" (H x W x D)

The bass loudspeaker shall be the Tannoy... Definition Install DS15i sub.

Tannoy United Kingdom
Tannoy North America
Tannoy Deutschland
Tannoy France

T: 00 44 (0) 1236 420199
T: 00 1 (519) 745 1158
T: 00 49 (180) 1111 881
T: 00 33 (0)1 7036 7473

E: enquiries@tannoy.com
E: inquiries@tannoyna.com
E: anfragen@tannoy.com
E: ventes@tannoy.com

tannoy.com

